

USAGE AREAS:

It is suitable for use in outdoor and indoor sports facilities, concerts and event areas.

SYSTEM DEFINITION:

New generation UNIVERSAL-Y folding stadium seat, produced with Gas Inflation Technique, is a system that can be mounted on the ground.



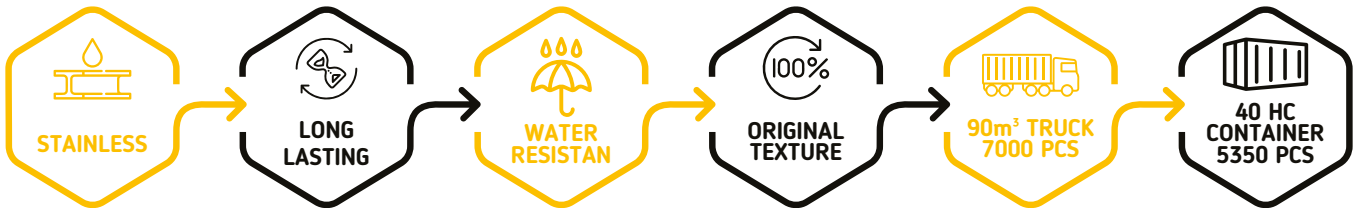
FEATURES:

The fixed grandstand seat offers comfortable and practical use with its ergonomic design, lightweight portability, easy assembly, and durability.

UNIVERSAL - Y

TECHNICAL SPECIFICATIONS

| | |
|---|--|
| 1 | The production is carried out using the injection method from the original polypropylene copolymer raw material. |
| 2 | It has a ribbed reinforced and double-walled structure that makes it difficult for breakage to occur when subjected to a load. |
| 3 | The lightfastness is maximized using color pigments, and color fading and chalkiness are effectively prevented with UV and antioxidant additives. |
| 4 | The front part of the seating area is designed in an oval shape to not disturb the legs. The backrest is produced with a curved and ergonomic structure. |
| 5 | There is a drainage hole in the center of the seat. |
| 6 | It has a glossy surface, preventing dirt from accumulating and allowing for easy cleaning. |
| 7 | Fire retardant properties are imparted with FR additives, documented by the UL 94-V2 test report. |
| 8 | Thanks to this special design, a solution is provided to prevent the hands from entering to avoid the seats being detached from their place. |
| 9 | For securing the seats to the step, the step is drilled at four points. After cleaning the holes and placing the dowels, the seats are securely attached to the step using trifoil screws. After assembly is complete, the hole slots are covered with plastic caps to prevent contact with water. |



PRODUCT IMAGES

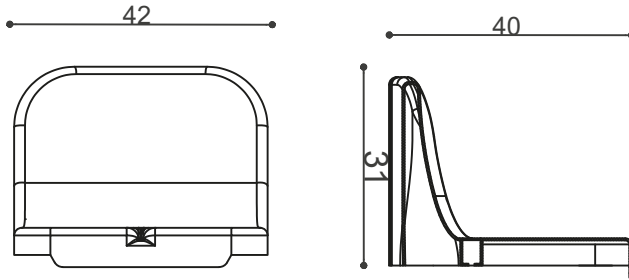


COLOURS

Standard Ral Codes

| | | |
|----------|----------|----------|
| RAL 3028 | RAL 5002 | RAL 6029 |
| RAL 1018 | RAL 9005 | RAL 9010 |

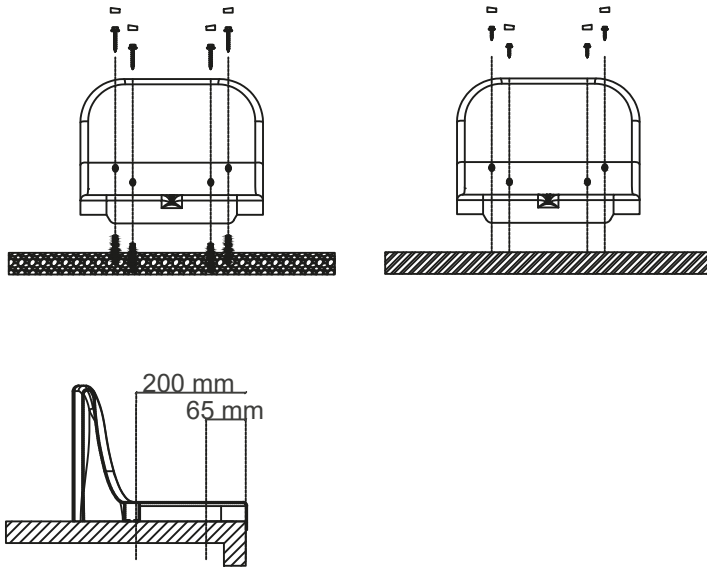
TECHNICAL DRAWING



PHOTOS FROM PRODUCTION



INSTALLATION DRAWING



UNIVERSAL - Y

APPLICATION AREAS



stila[®]
Design & Build